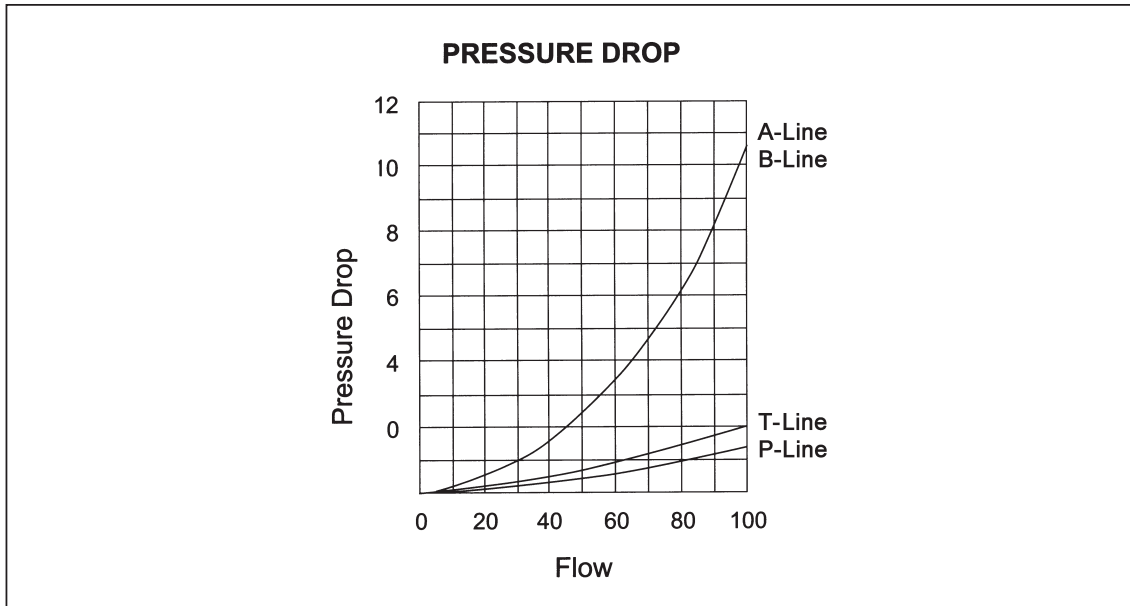


Modular Throttle Valves " MT " Series

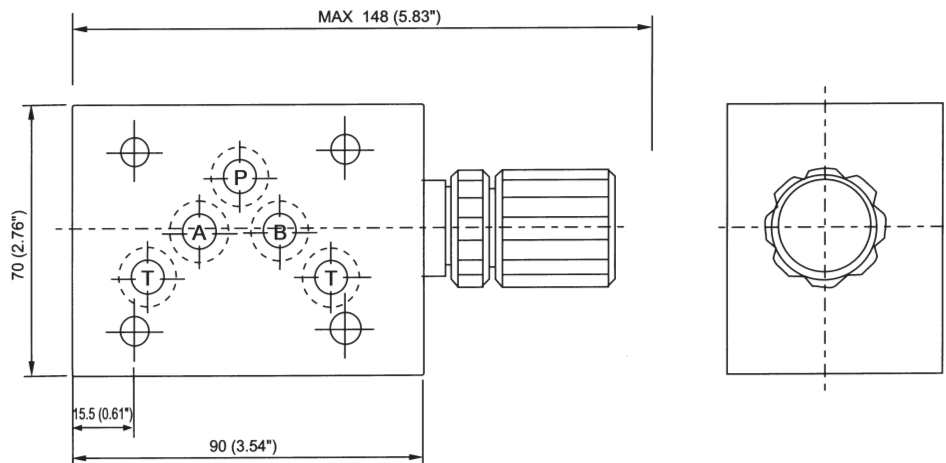
◆ PERFORMANCE

Test Conditions
 Oil Temperature : 50°C(122°F)
 Viscosity : 35 cSt (163 SSU)



◆ DIMENSIONS

MT-03-P, T



MT Series